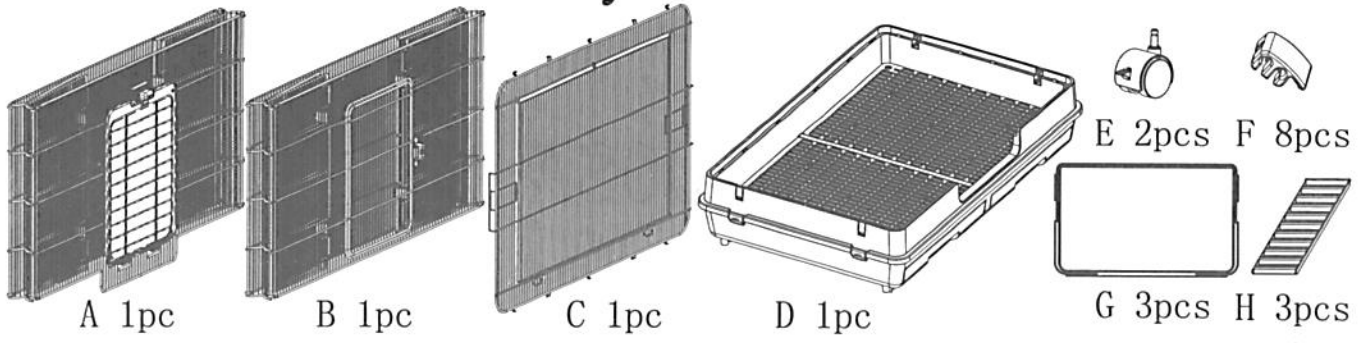
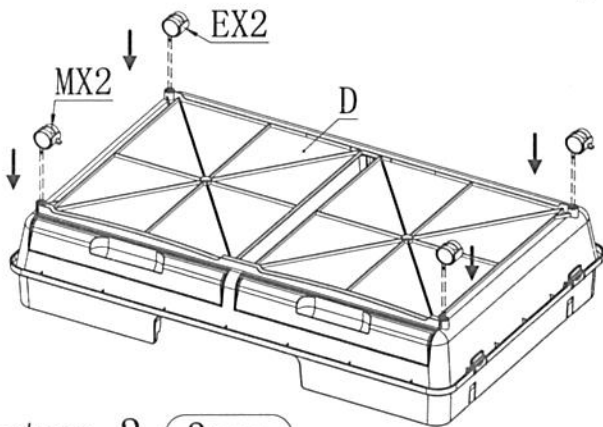


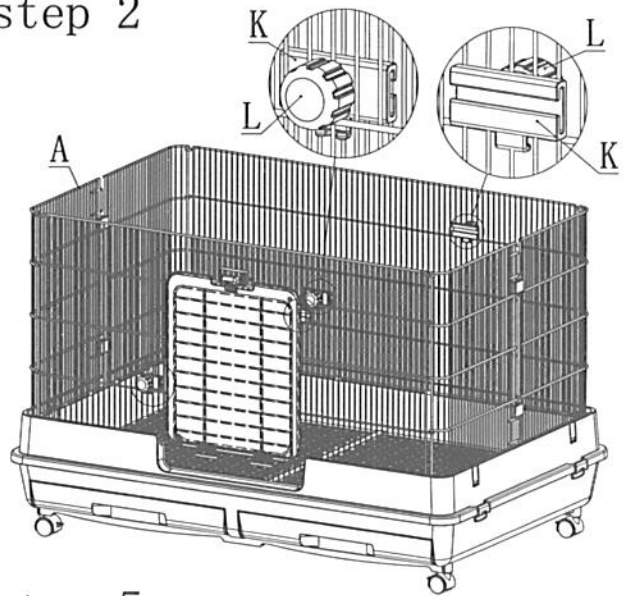
Assembly Instructions



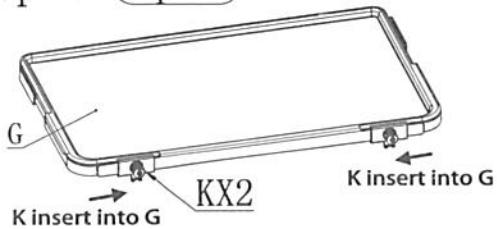
step 1



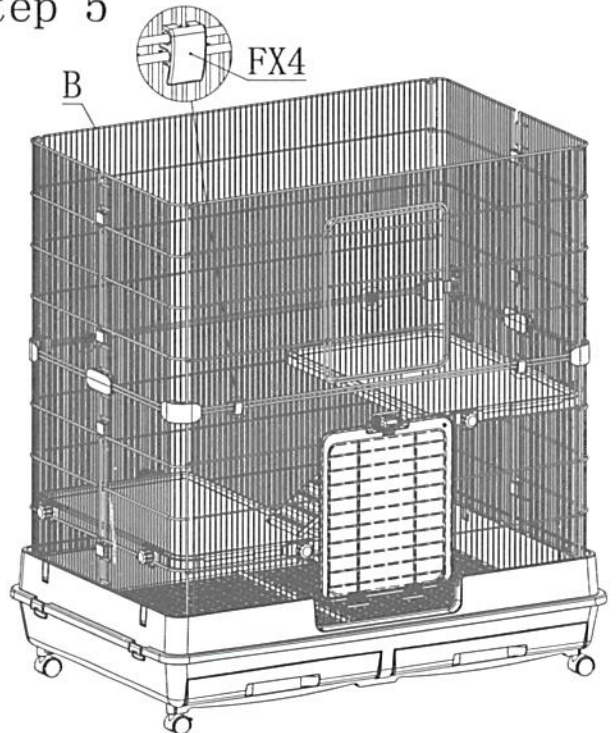
step 2



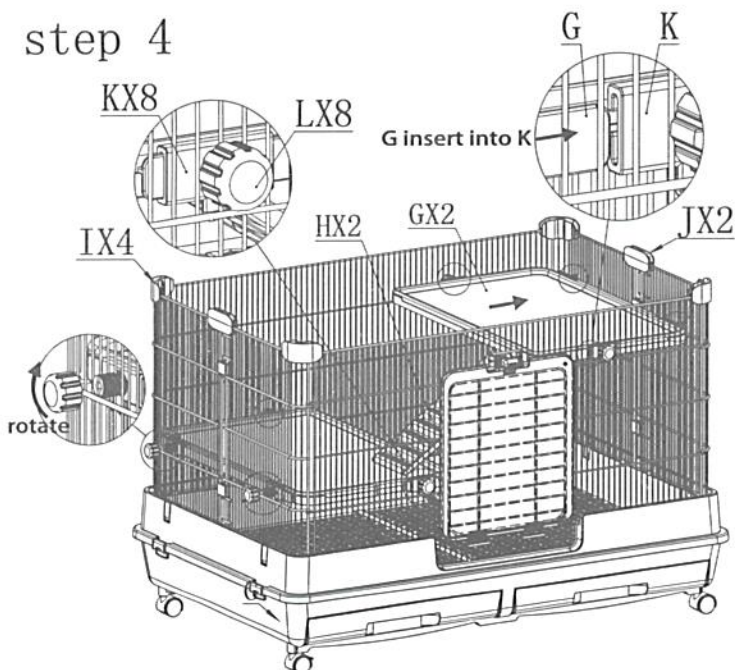
step 3 (3pcs)



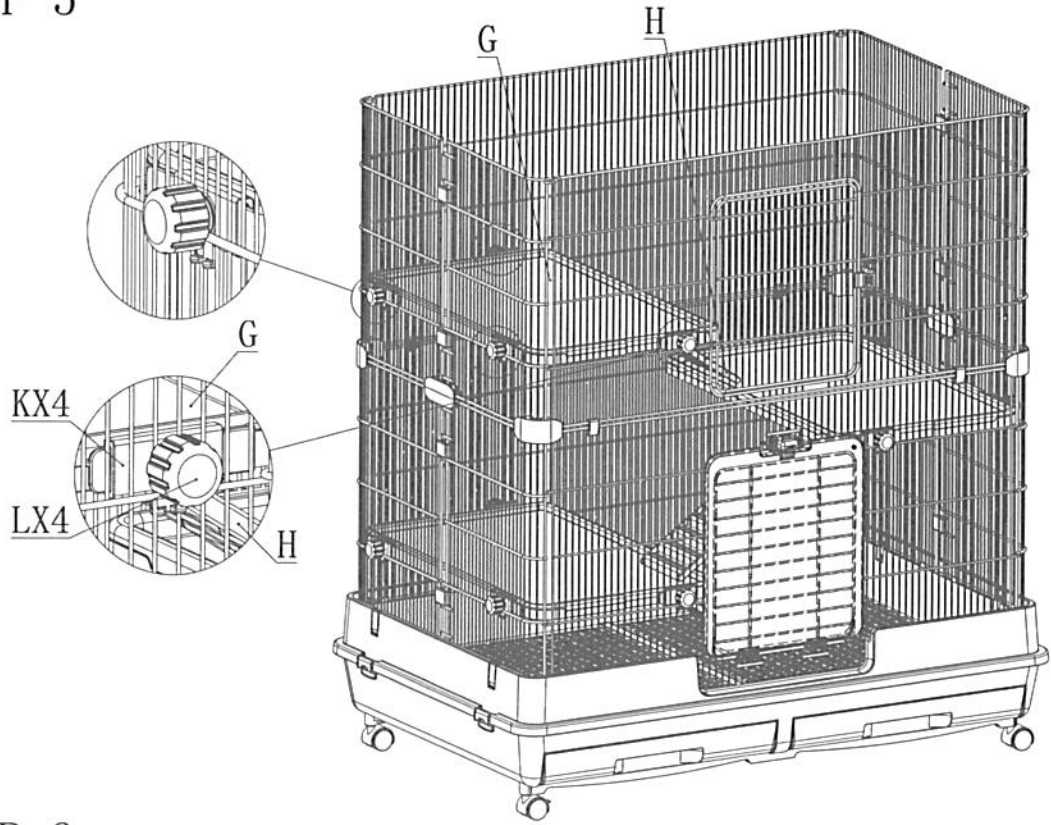
step 5



step 4



STEP 5



STEP 6

