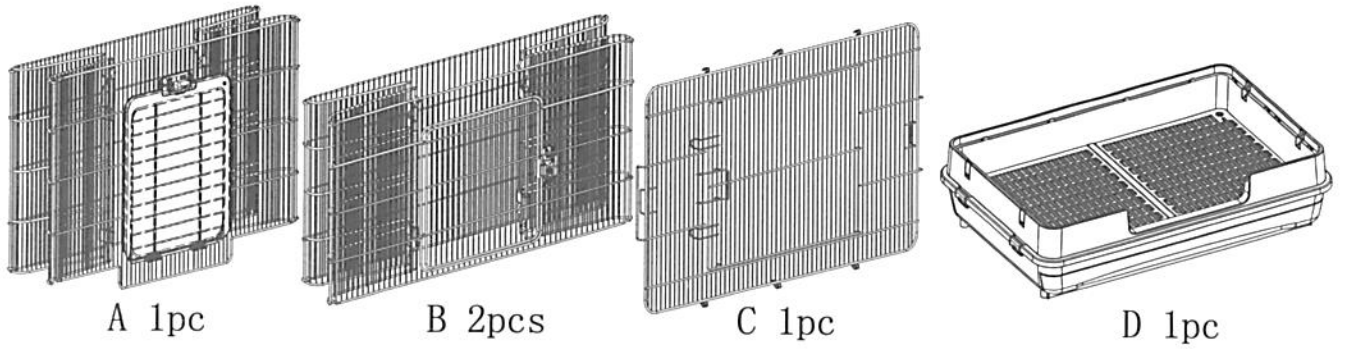
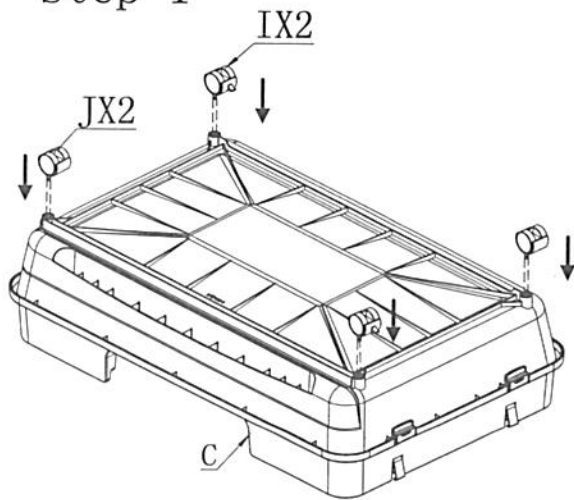


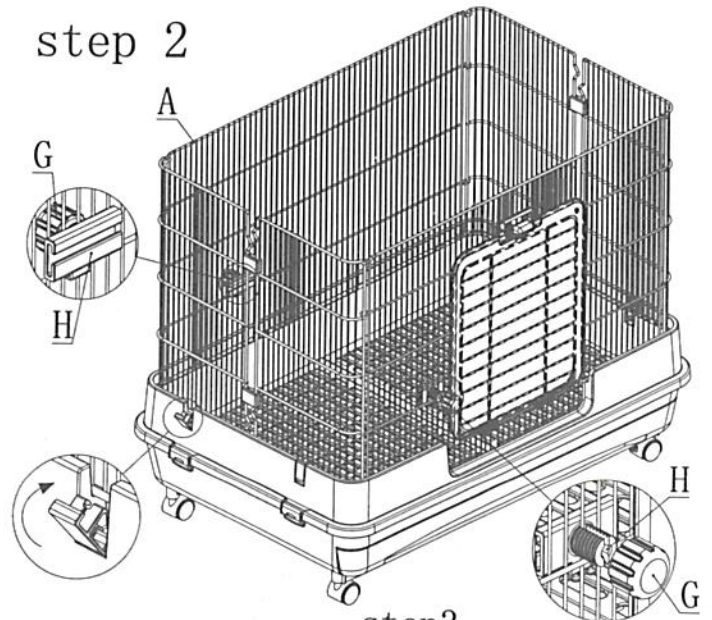
# Assembly Instructions



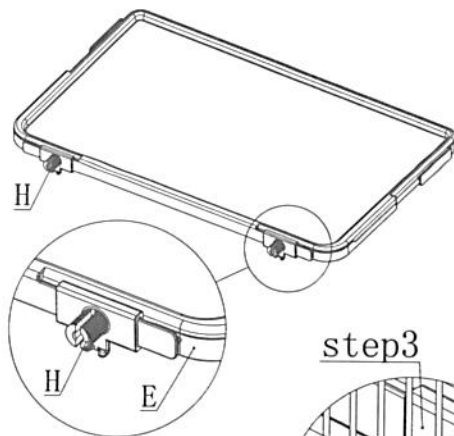
step 1



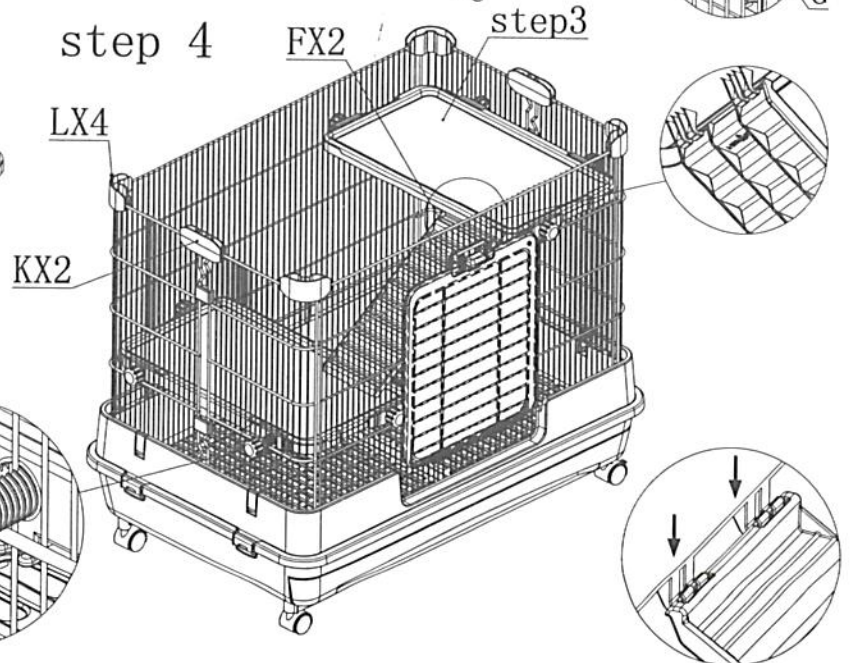
step 2



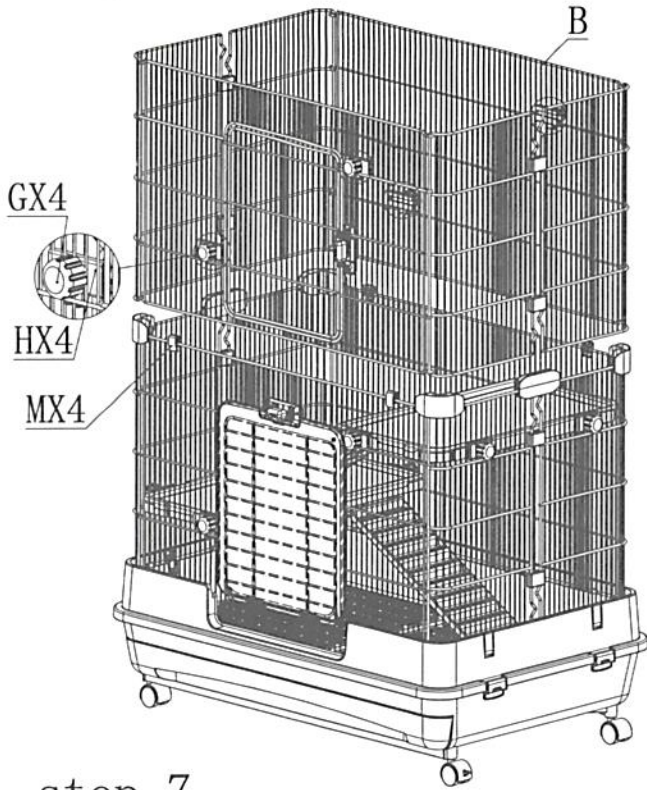
step 3



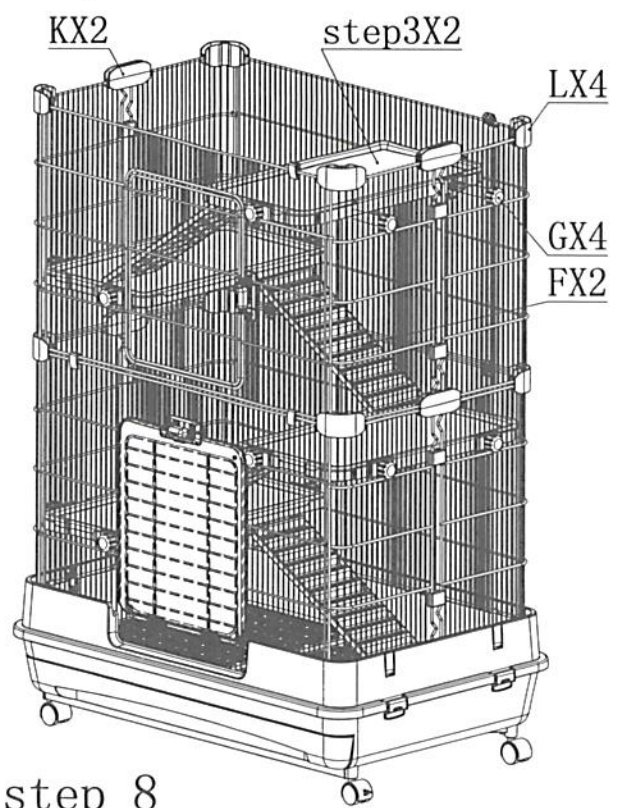
step 4



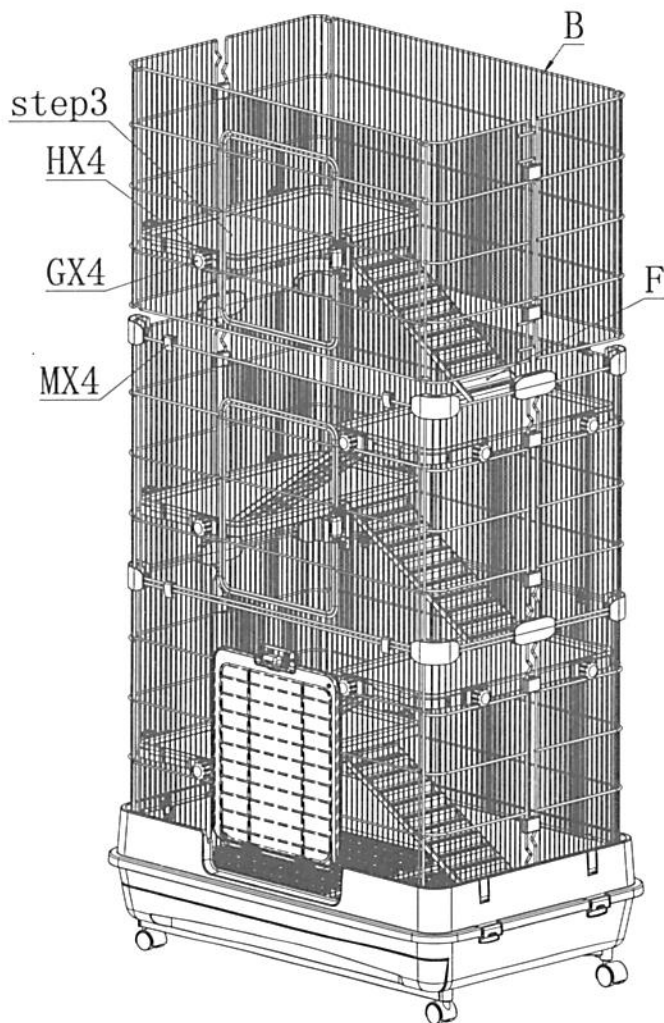
step 5



step 6



step 7



step 8

