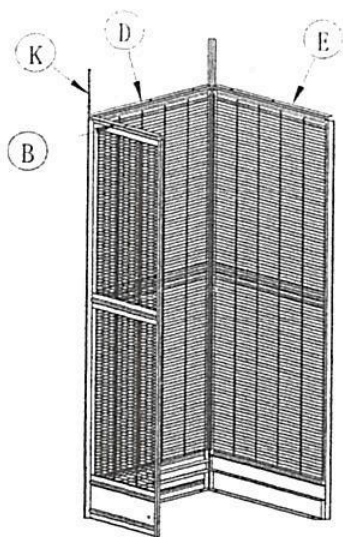
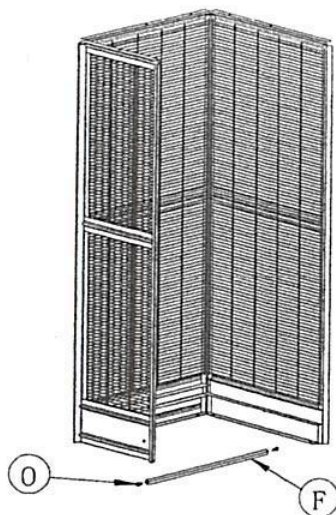


Aufbauanleitung/assembly instructions

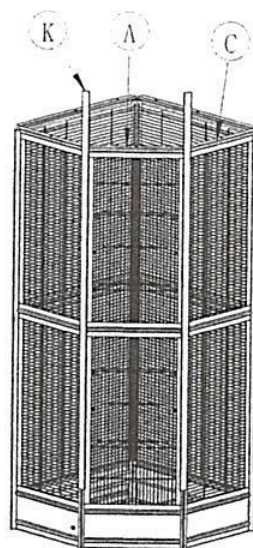
Box List



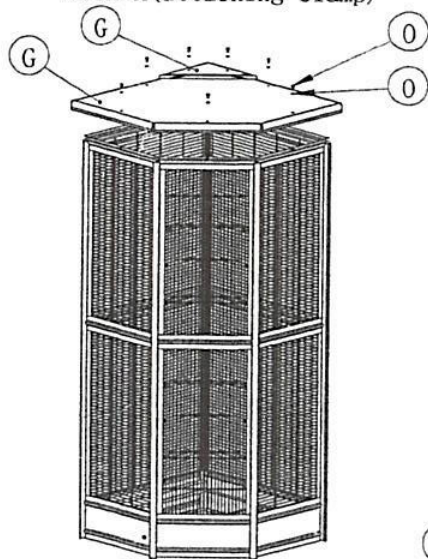
- 1、Attach part B, D and E with K(attaching clamp)



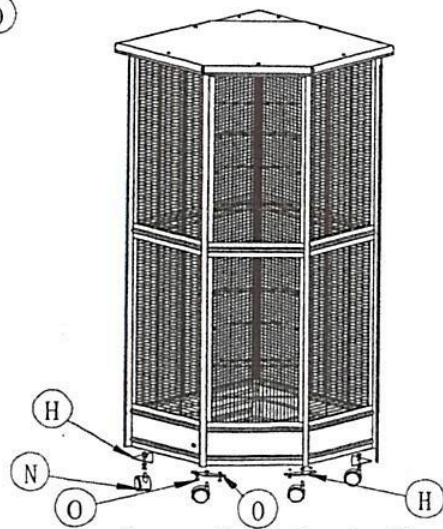
- 2、Attach Left Panel B and Back Right Panel E with Bar F and screws O.



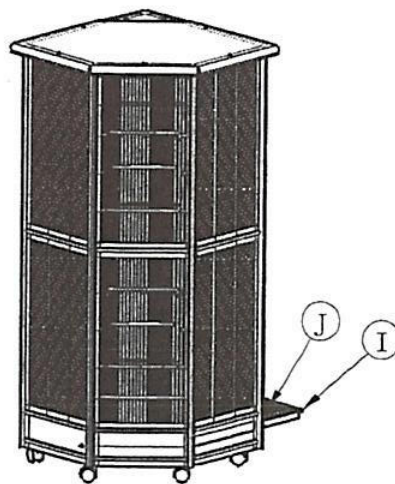
- 3、Attach Front Panel A and Right Panel C with Attaching clamp K.



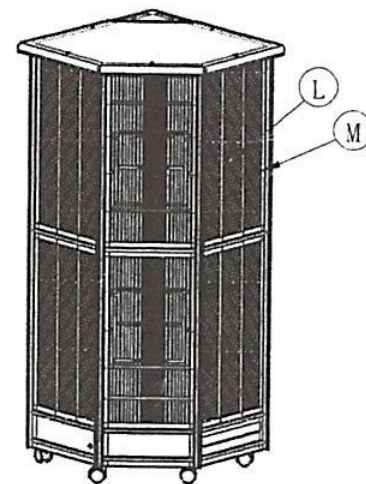
- 4、Screw Roof G to the cage Body with O.



- 5、Screw the Triangle Plates H and wheels N to the cage bottom.



- 6、Put Tray I and Grate J into the cage (as shown in the bottom part).



- 7、Put Perch L and Cups M into the cage.

Item No: 100G-3		
Box		
Part name		Quantity
A	Front Panel(前网部件)	1pcs
B	Left Panel(左网部件)	1pcs
C	Right Panel(右网部件)	1pcs
D	Back Left Panel(后左网部件)	1pcs
E	Back Right Panel(后右网部件)	1pcs
F	Frame Bar(支架方管部件)	1pcs
G	Roof(平顶盖板)	2pcs
H	Triangle Plate(三角脚板)	5pcs
I	Tray(拖盘部件)	1pcs
J	Grate(密网)	1pcs
K	Attaching clamp(插条)	5pcs
L	Perch(木棍)	2pcs
M	Cup(鸟食杯)	2pcs
N	Wheels(2寸8厘脚轮)	5pcs
O	Screw bag(螺丝包)	1pcs