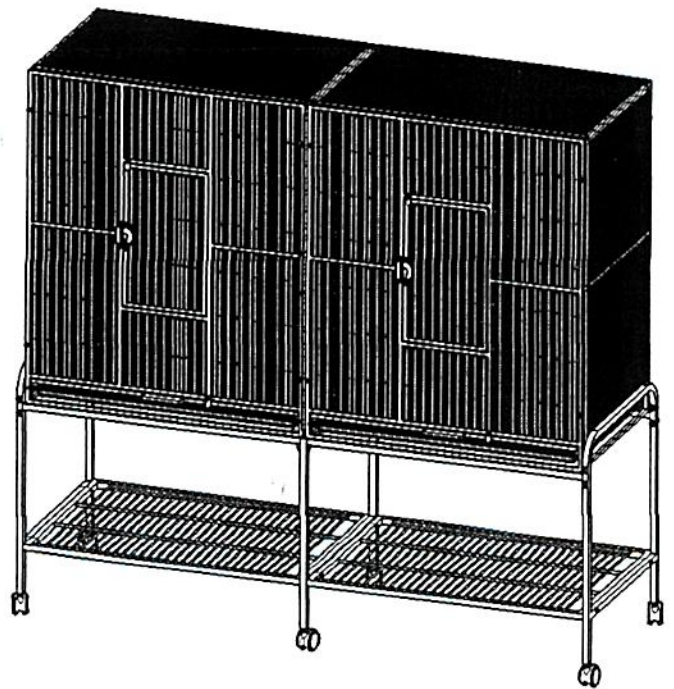







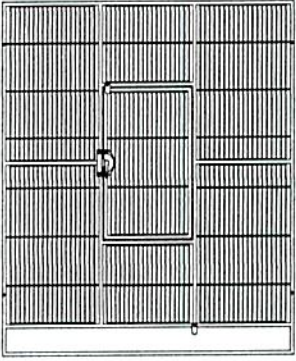
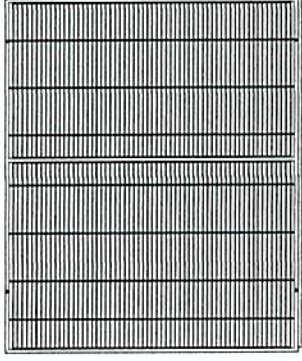
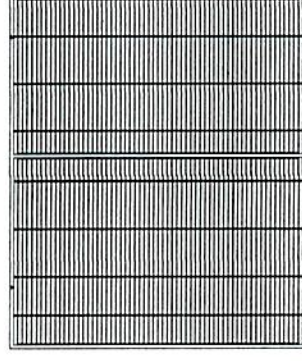
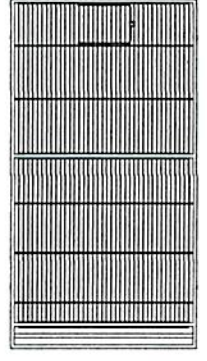
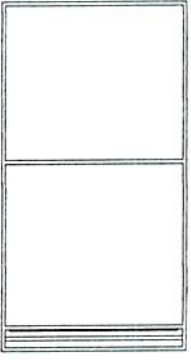

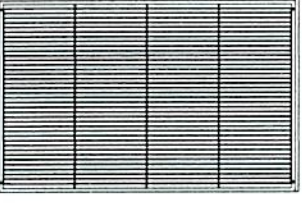
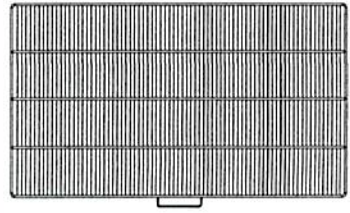
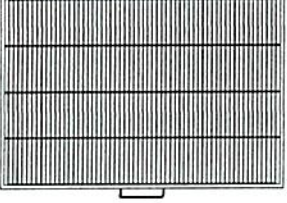
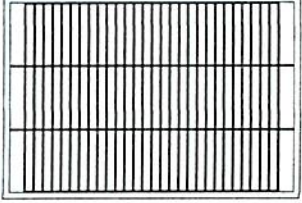
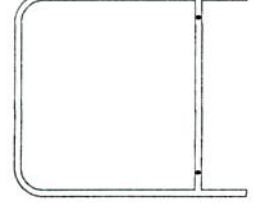
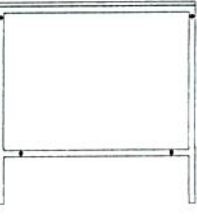
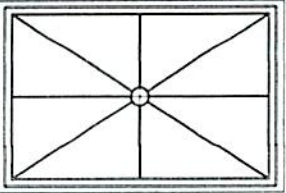



ASSEMBLY INSTRUCTIONS



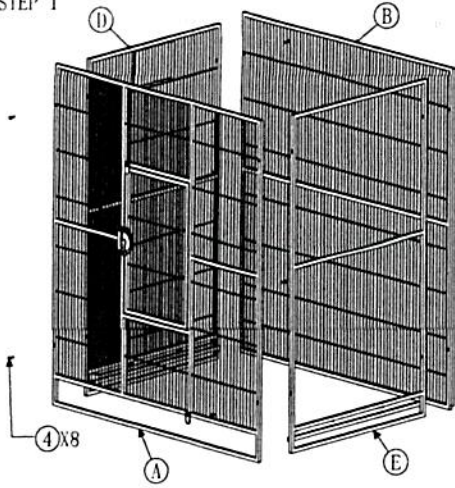
HAEDWARE LIST

(1) M8X60 2PCS	(2) M8X45 4PCS	(3) M8X30 10PCS
		
(4) M4X20 28PCS	(5) M8 16PCS	
		

PART LIST

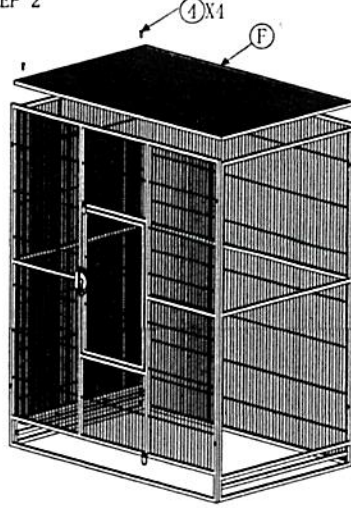
(A) FRONT WIRE 2PCS 	(B) BACK LEFT WIRE 1PC 	(C) BACK RIGHT WIRE 1PC 	(D) LEFT&RIGHT WIRE 2PCS 
(E) MIDDLE FRAME (FOR DIUIDER) 2PCS 	(F) TOP LEFT WIRE 1PC 	(G) TOP RIGHT WIRE 1PC 	(H) DIVIDER 1PC 
	(I) GRILL 2PCS 	(J) BOTTOM SHELF 2PCS 	(K) LEFT&RIGHT LEG 2PCS 
(L) MIDDLE LEG 1PC 	(M) PLASTIC TRAY 2PCS 	(P) TUBE 4PCS 	
		(Q) WHEEL 6PCS 	(R) STATOR 4PCS 

STEP 1



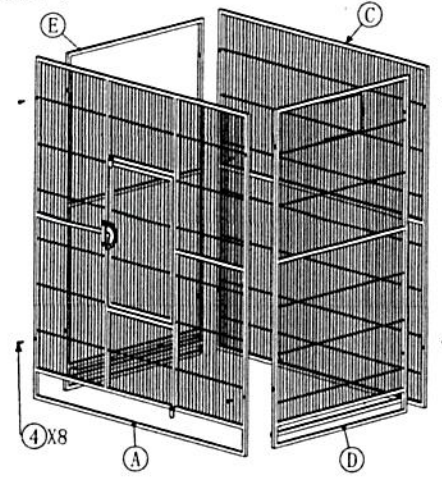
Attach front wire A, back left wire B, left wire D, middle frame E with screws;

STEP 2



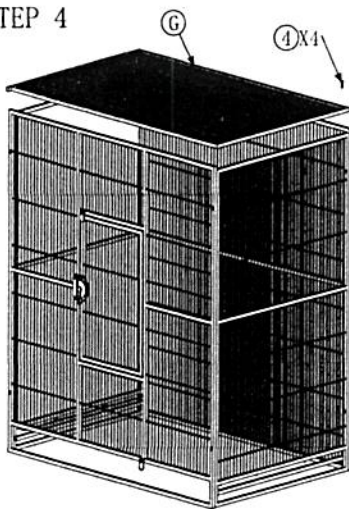
Attach top left wire F to top of the body with screws;

STEP 3



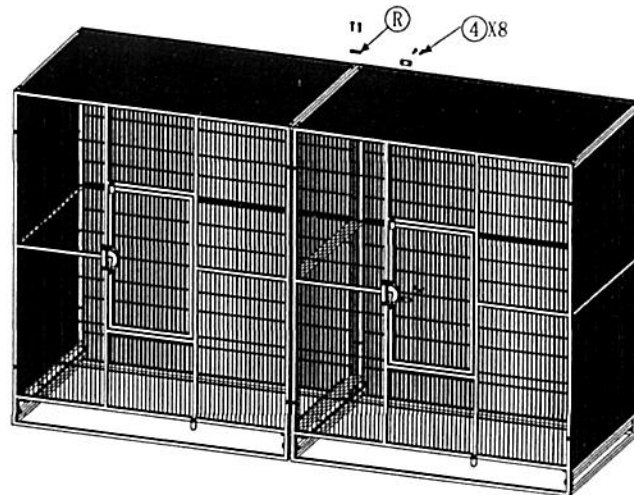
Attach front wire A, back right wire C, right wire D, middle frame E with screws;

STEP 4



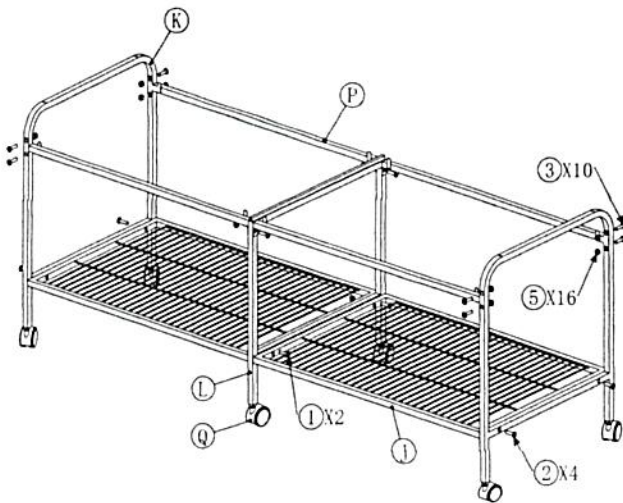
Attach top right wire G on top of the body with screws

STEP 5



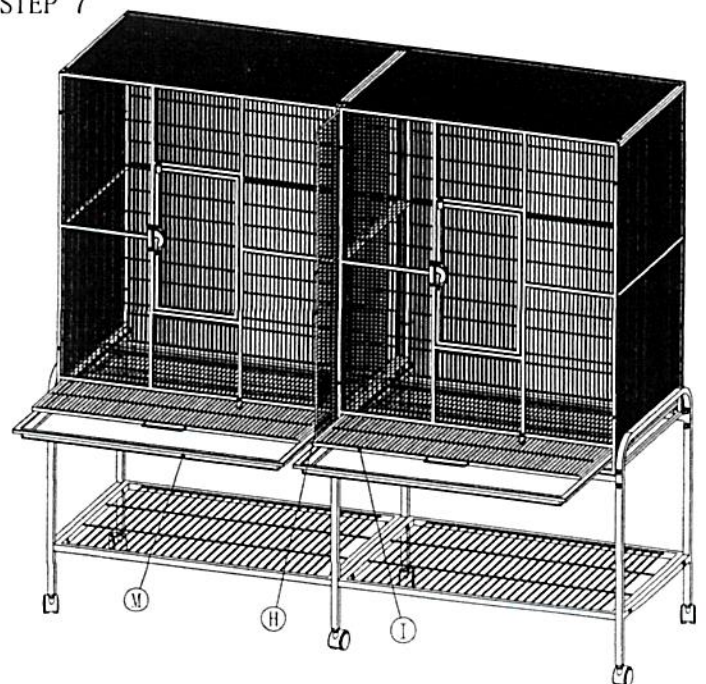
Attach the two parts in step 2, step 4 with stator R to form a cage;

STEP 6



Attach tube P, bottom shelf J and wheels Q to left&right legs K, middle leg L with screws to form a stand;

STEP 7



Put the cage on the stand, and screw them together, then slide plastic tray M, grill I and divider H into the cage;